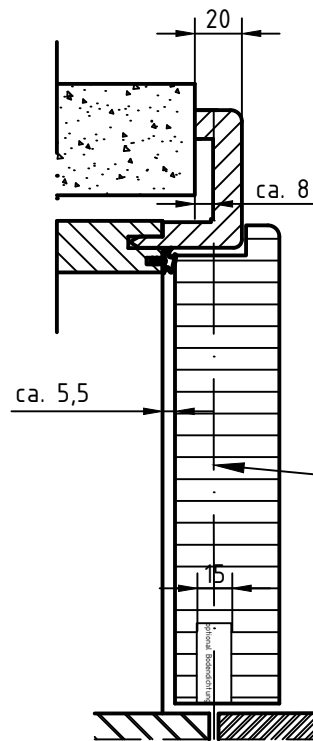


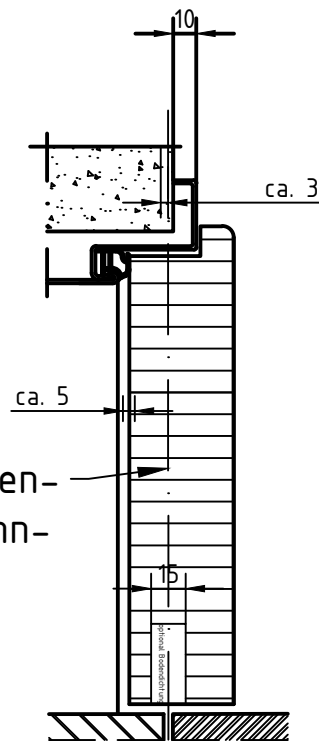
Fußbodentrennlinie für Brandschutz FS30

„theoretische“ Lage

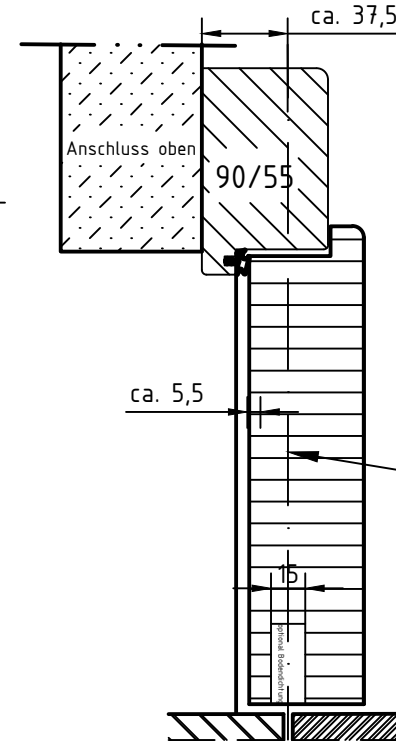
Vollblatftür in Holzzarge



Vollblatftür in Stahlzarge



Vollblatftür in Blendrahmen



Vollblatftür in Blockrahmen

