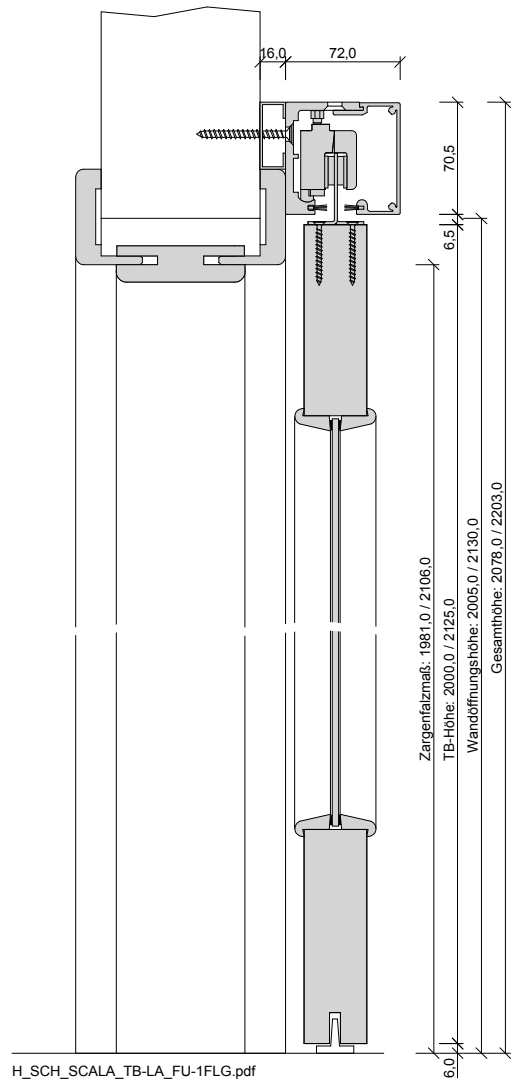
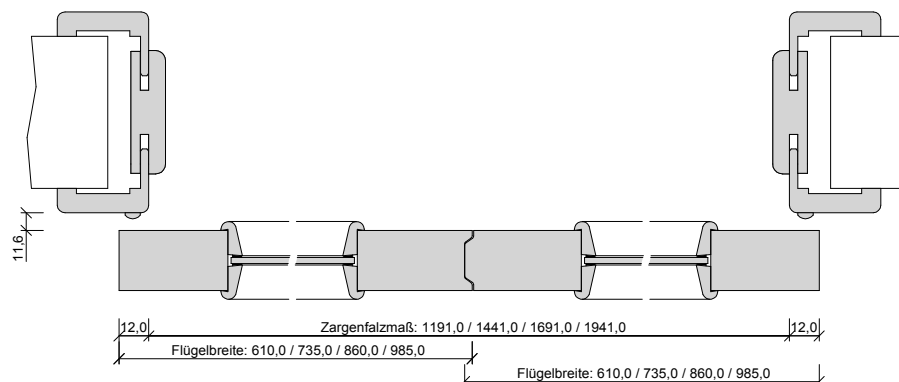


A\_SCH\_SCALA\_TB-LA\_FU-2FLG.PDF



H\_SCH\_SCALA\_TB-LA\_FU-1FLG.pdf



Q\_SCH\_SCALA\_TB-LA\_FU-2FLG.pdf

