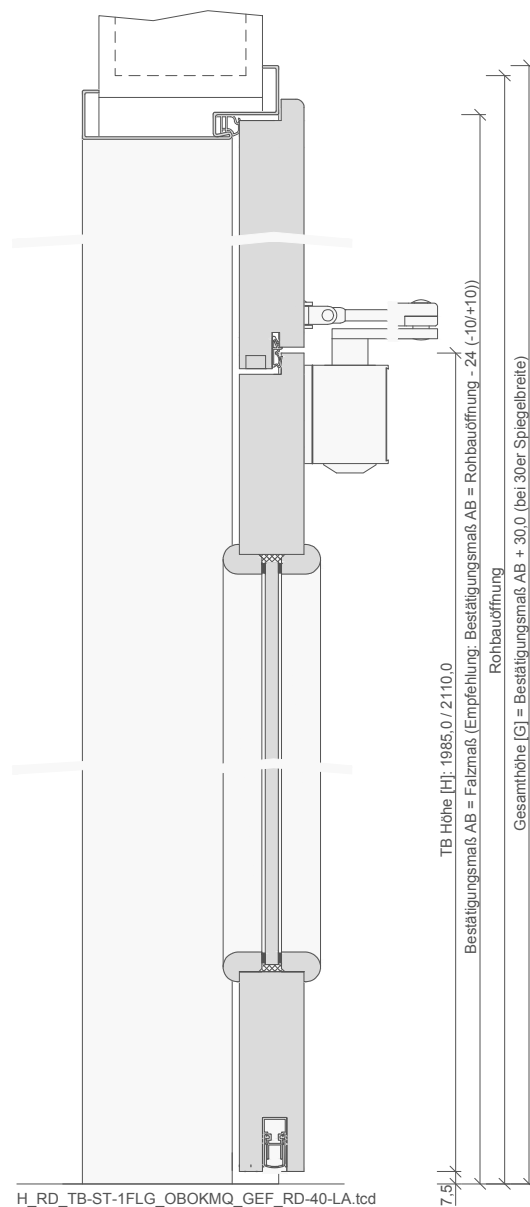
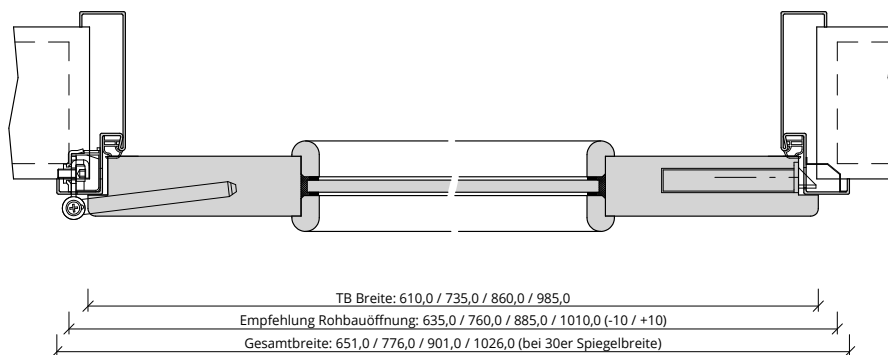


A\_RD\_TB-ST-1FLG\_OBOKMQ\_GEF\_RD-40-LA.tcd



H\_RD\_TB-ST-1FLG\_OBOKMQ\_GEF\_RD-40-LA.tcd



Q\_RD\_TB-ST-1FLG\_OBOKMQ\_GEF\_RD-40-LA.tcd

