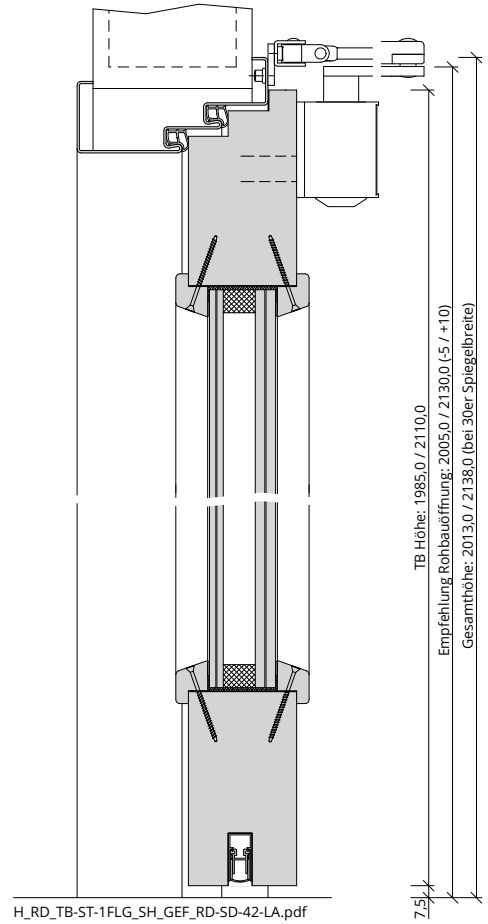
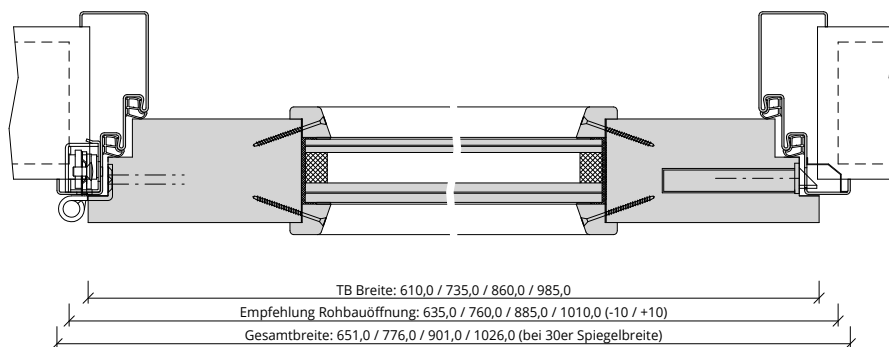


A\_RD\_TB-ST-1FLG\_SH\_GEF\_RD-SD-42-LA.pdf



H\_RD\_TB-ST-1FLG\_SH\_GEF\_RD-SD-42-LA.pdf



Q\_RD\_TB-ST-1FLG\_SH\_GEF\_RD-SD-42-LA.pdf

